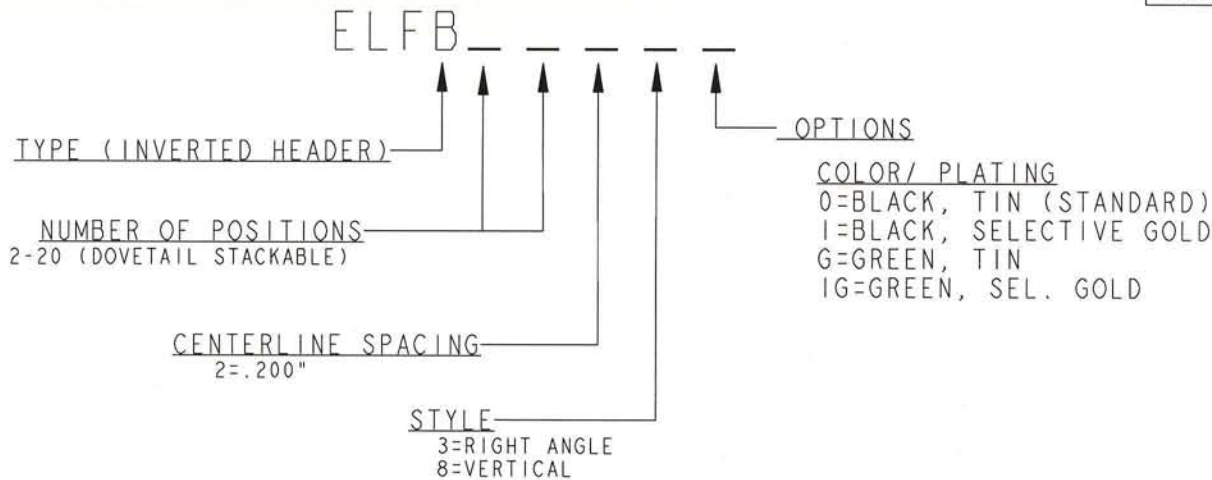


# ELFB SERIES PART NUMBERING SCHEME

REV	ECN	APP'D
-	4501	10 10-31-01
A	5742	AN 12/28/05



**COLOR/ PLATING**  
 0=BLACK, TIN (STANDARD)  
 1=BLACK, SELECTIVE GOLD  
 G=GREEN, TIN  
 1G=GREEN, SEL. GOLD

CONSULT PCD FOR PART NO. AND AVAILABILITY OF FOLLOWING OPTIONS:  
 \*CUSTOM COLORS                      \*CUSTOM KEYING  
 \*CUSTOM MARKING                    \*NUMBER OF POSITIONS 21-24

**RU RATINGS**  
 CURRENT - 15A  
 VOLTAGE - 300V  
 U.L. FILE NO. PENDING

**SP RATINGS**  
 CURRENT - 15 A  
 VOLTAGE - 300 V  
 CSA FILE NO. PENDING

DIN VDE 0627:1986  
 DIN VDE 0110-1:1989  
 EN 60947-1:1991  
 EN 60947-7-1:1992  
 CURRENT - 15 A  
 VOLTAGE - 300 V  
 TUV FILE NO. PENDING

**MATERIALS:**  
 HOUSING: NYLON 46, UL 94 V-0; HIGH TEMP.  
 CONTACT: PHOSPHOR BRONZE, TIN FINISH  
 MAX OPERATING TEMP: 125°C  
**NOTE:**  
 HIGH TEMP. MATERIAL WILL WITHSTAND COMPONENT EQUILIBRIUM TEMPERATURES OF 260°C FOR 3 MINUTES DURING THE SOLDERING PROCESS

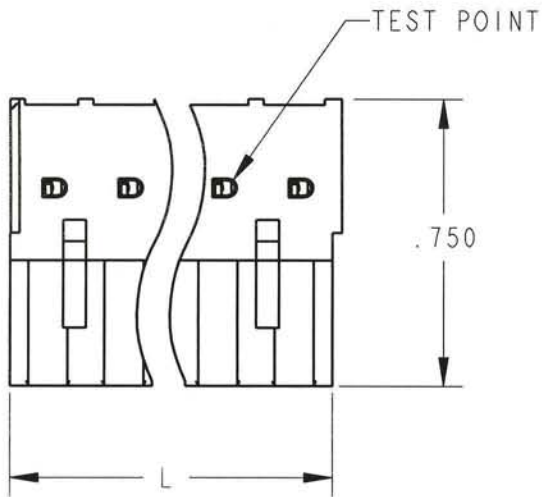
**PRINTED CIRCUIT BOARD CONFIGURATION**

RECOMMENDED PCB THICKNESS: .062±.008

<b>DIMENSIONS</b> ANSI Y14.5M UNITS: INCHES Pro/E FILE	<b>TOLERANCES</b> .XX ±0.01 .XXX ±0.005 ANGLES ±2.0°	<b>PROJECTION</b> 	<b>Amphenol Pcd</b>		<b>TITLE</b> ELFB SERIES INVERTED HEADER		
			<b>ENGR</b> C. LASHUA 5/21/01		<b>SIZE</b> <b>A</b>	<b>DWG NO.</b> ELFB02230	<b>REV</b> A
<b>ORIGINAL STAMPED IN RED</b>	THIS DOCUMENT CONTAINS PROPRIETARY INFORMATION WHICH IS THE CONFIDENTIAL PROPERTY OF AMPHENOL PCD, INC. PEABODY, MA, USA	<b>CHKD</b> ALAN PATRIE 10-30-01	<b>APPD</b> 10 10-31-01		<b>CODE:</b> 58982	<b>SCALE:</b> NONE	<b>SHEET</b> 1 OF 2

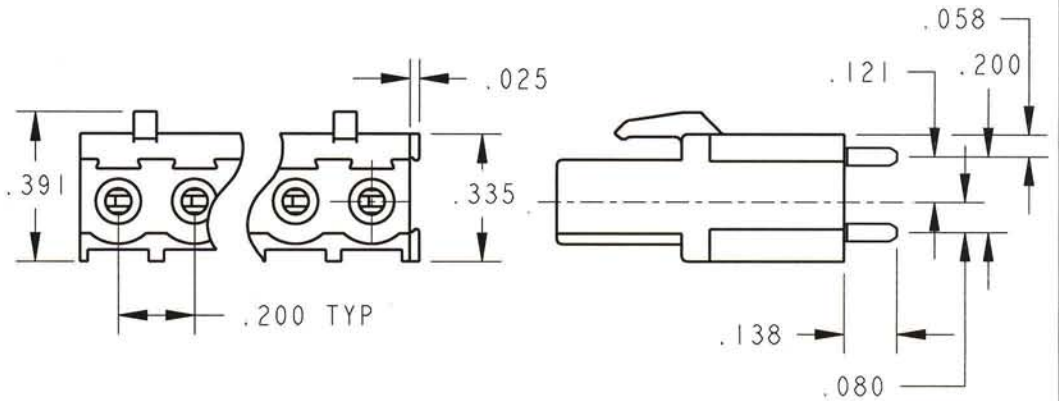
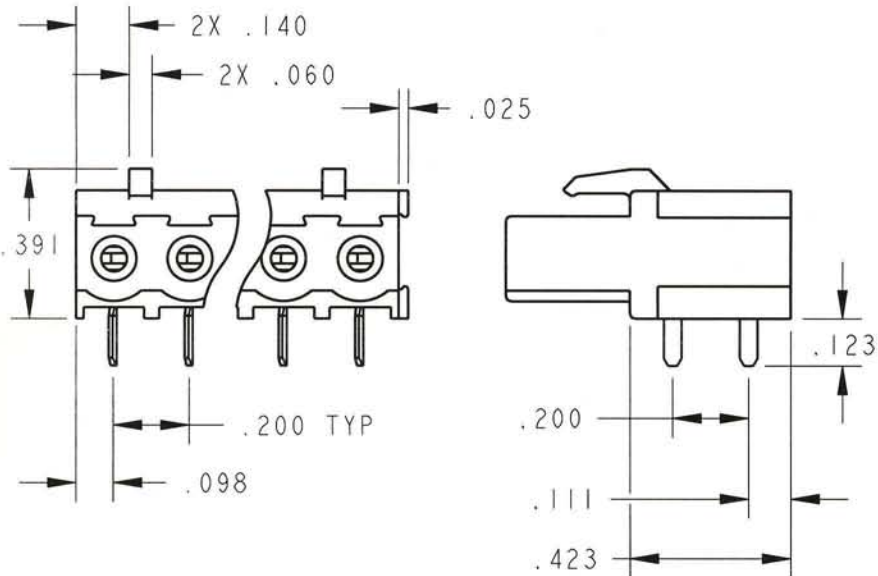
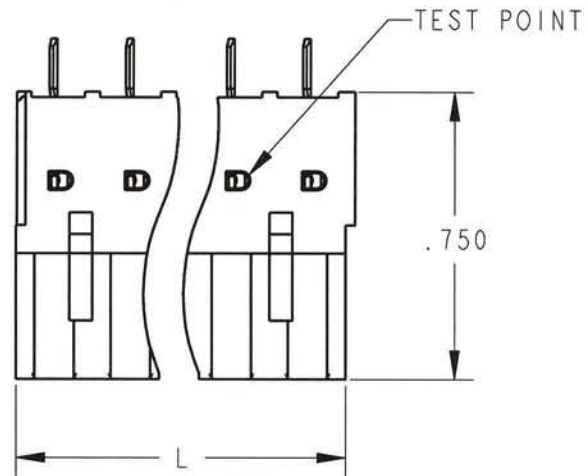
RIGHT ANGLE

L=NUM OF POS X .200



VERTICAL

L=NUM OF POS X .200



SIZE	DWG NO.	REV
A	ELFB02230	A
CODE: 58982	SCALE: NONE	SHEET 2 OF 2